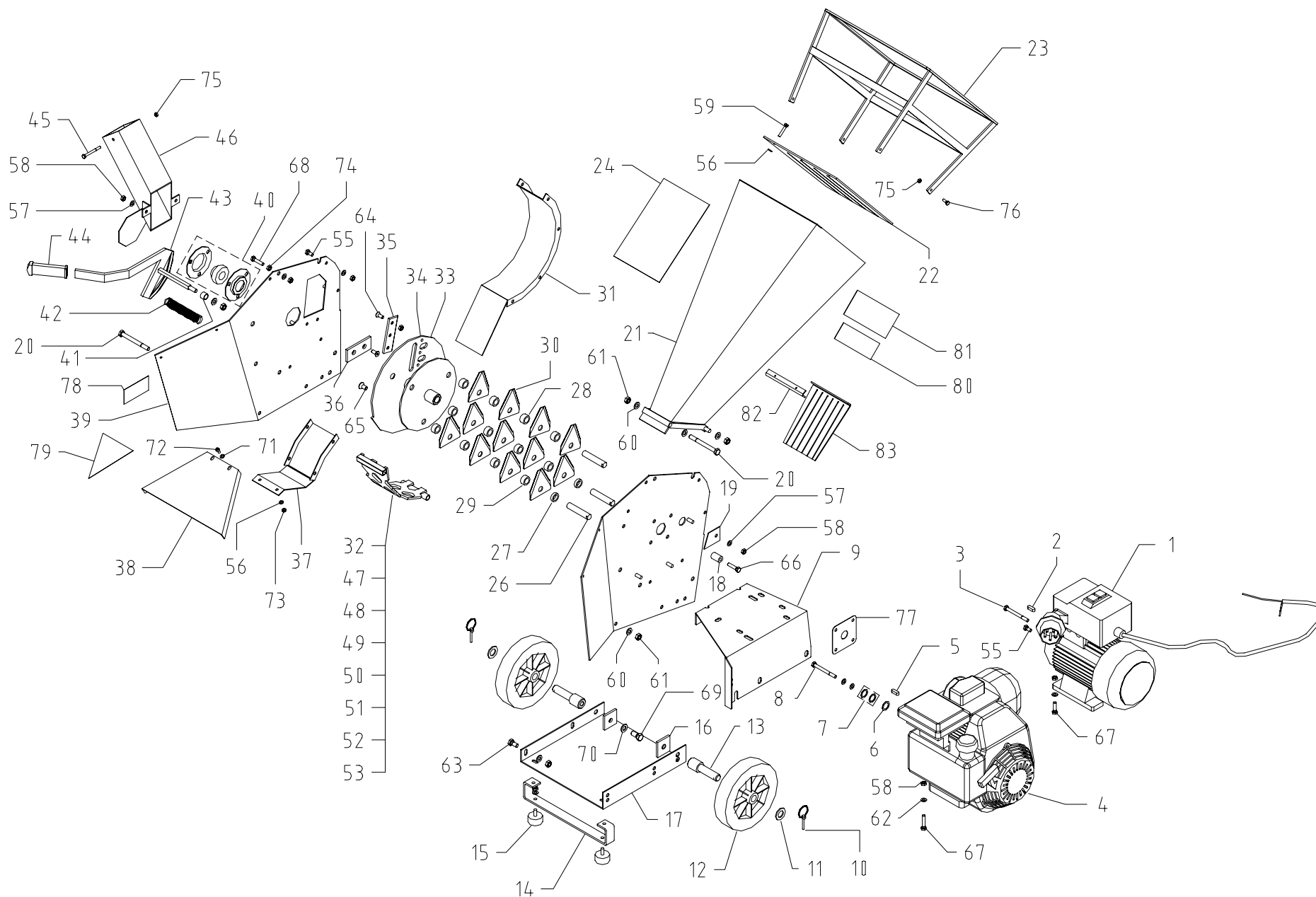


# BIO 60 E / B



# BIO 60 E / B



Pos.	Description	Q.ty	Code	Pos.	Description	Q.ty	Code
1	Electric motor HP 3 (E)	1	015300210	42	Spring with protection	1	570008010
2	Key (E)	1	530003010	43	Screen lever	1	070002550
3	Screw TCEI M 8x110 (E)	1	501100008	44	Hand grip 25x8	1	540002508
4	Engine (B)	1	060004300	45	Screw M 6x90	2	500010120
5	Key (B)	1	530003116	46	Chipper mouthpiece	1	070001200
6	Spacer PS $\phi$ 20 (B)	1	060002200	47	Screen $\phi$ 8*	1	070003000
7	Spacer PS $\phi$ 19 (B)	X	060002201	48	Screen $\phi$ 10*	1	070003100
8	Screw TCEI 5/16x4" 1/2 UNF (B)	1	505160412	49	Screen $\phi$ 12*	1	070003200
9	Engine/motor basement	1	070001800	50	Screen $\phi$ 15*	1	070003300
10	Snap on clip	2	530005500	51	Screen $\phi$ 20*	1	070003400
11	Washer $\phi$ 20	2	510002520	52	Screen $\phi$ 30*	1	070003500
12	Wheel	2	070000010	53	Screen $\phi$ 35*	1	070003600
13	Pin axle	2	070005300	55	Screw TE M8x16	18	500019608
14	Feet support	1	070001700	56	Washer $\phi$ 5x15	12	510002505
15	Rubber foot	2	013900000	57	Washer $\phi$ 9x18	22	510005009
16	Plate	2	070005301	58	Self lock nut M 8	29	520002008
17	Machine basement	1	070001600	59	Rivet $\phi$ 4.9x16 Al	8	530002000
18	Spacer L=28	4	060004100	60	Washer $\phi$ 11x21	10	510010000
19	Plate covering the hole galvanized	1	070003839	61	Self lock nut M 10	7	520002010
20	Screw TE M 10x120	2	501200010	62	Washer $\phi$ 9x27	3	510005509
21	Upper hopper	1	070000720	63	Screw TE M 10x20	3	500020010
22	Hopper rubber	1	080000301	64	Screw TSPEI M 8x20	5	500011008
23	Hopper protection	1	080006010	65	Screw TSPEI M 10x20	3	501020010
24	Adhesive	1	000000002	66	Screw TE 5/16"x1" 3/4	4	505160134
25	Electric frame	1	070003800	67	Screw TE M 8x40	2	501840010
26	Rotor bar	3	060002600	68	Screw TE M 8x30	3	500019508
27	Spacer H=7	2	080007100	69	Screw TE M 12x25	2	500012025
28	Spacer H=14	4	080007090	70	Washer $\phi$ 12	2	510002512
29	Spacer H=12.5	8	080007070	71	Washer $\phi$ 6	2	510003005
30	Blade TR 3	12	070007060	72	Screw TCEI M 5x12	6	500012005
31	Round bottom	1	072003701	73	Self lock nut M 5	6	520002005
32	Screen $\phi$ 25	1	070002900	74	Nut M 8	1	520001008
33	Electric rotor	1	060002300	75	Self lock nut M 6	10	500022006
34	Engine rotor	1	060002400	76	Screw TE M 6x15	8	500029606
35	Chipper blade	1	013300800	77	Plate adapter for engine	1	070003901
36	Counter blade	1	013000060	78	Adhesive	1	000000041
37	Upper round baffle	1	070000601	79	Adhesive	1	000000004
38	Baffle discharge	1	070001601	80	Adhesive	1	000000033
39	Chipper frame	1	070001100	81	Adhesive	1	000000005
40	Bearing SBPF 205	1	550002125	82	Angle	1	070001000
41	Spacer L=17	1	080005019	83	Bottom protection	1	070004400

\* Optional item

Rev.1-2008